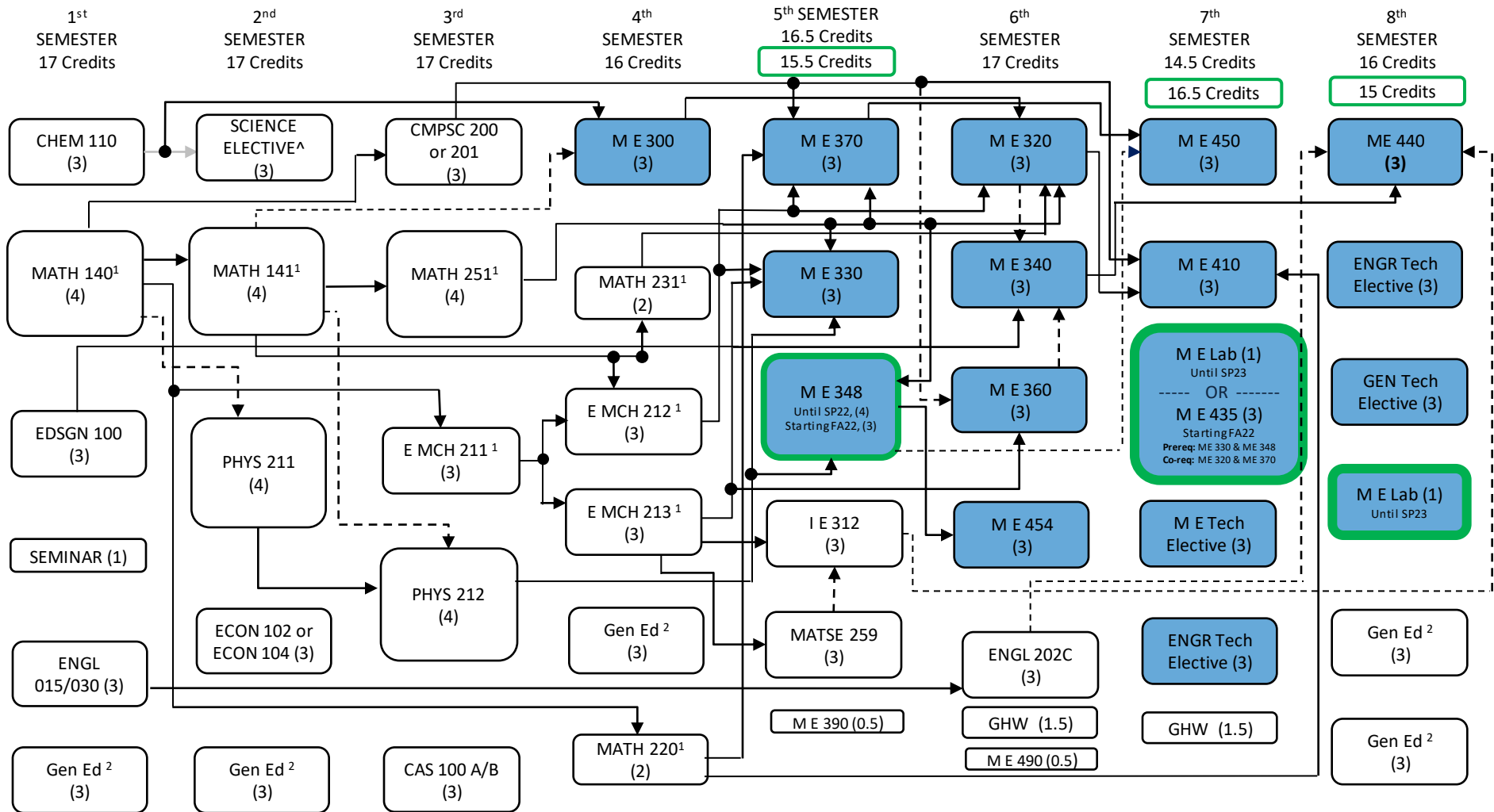


# MECHANICAL ENGINEERING CURRICULUM (Option A: last Name begins with A-K)



<sup>^</sup> Science Elective options – CHEM 112, BIOL 141, or CHEM 111 and PHYS 214 – 3 total credits

<sup>1</sup> Completion of E MCH & MATH courses **before the 5<sup>th</sup> semester** is important for future course sequencing; E MCH 210 or E MCH 210H is not a direct substitute for E MCH 211 and 213 requirements and should not be taken for ME\_BS

<sup>2</sup> US Cultures & IL Cultures and Integrative studies requirements are satisfied in conjunction with gen ed courses

Courses shaded in **BLUE** used for the In-major GPA calculation  
Note listed prerequisites when planning tech electives and ME labs

**Please make sure you complete one of the color options:**

ME 348 (4)	ME 348 (4)	ME 348 (3)
<b>TWO</b> 1-cr ME labs	ME 435 (3)	ME 435 (3)

If you deviate from the color blocks, discuss with ME Adviser.

**ME 348, ME 435 and, 1-cr ME Labs offerings schedule:**

2021-22	2022-23	2023-24 +
ME 348 (4)	ME 348 <i>(now offered as 3cr.)</i>	ME 348 (3)
ME 435 (3)	ME 435 (3)	ME 435 (3)
1-cr ME Labs offerings:		
-EMCH 316 (1)	-EMCH 316	
-ME 315 (1)		
-ME 325 (1)	-One 1-credit ME course will be offered.	
-ME 355 (1)		
-ME 375 (1)	(Details TBA)	